

6Gb/s 2km SFP+ 1310nm Transceivers

The RTX228-601 6Gigabit 1310nm FP Transceiver is designed to transmit and receive serial optical data links up from 2.1 Gb/s to 6.25 Gb/s data rate over singlemode fiber. The Transceiver is compliant with 2/4GFC, CPRI and applicable portions of SFF-8431. Digital diagnostics functions are available via a 2-wire serial interface, as specified in SFF-8472.

Specifications

(tested under recommended operating conditions, unless otherwise noted)

Ordering Information

Part No.	Package	Data rate	Specifications	Application

6Gb/s 2km SFP+ 1310nm Transceivers

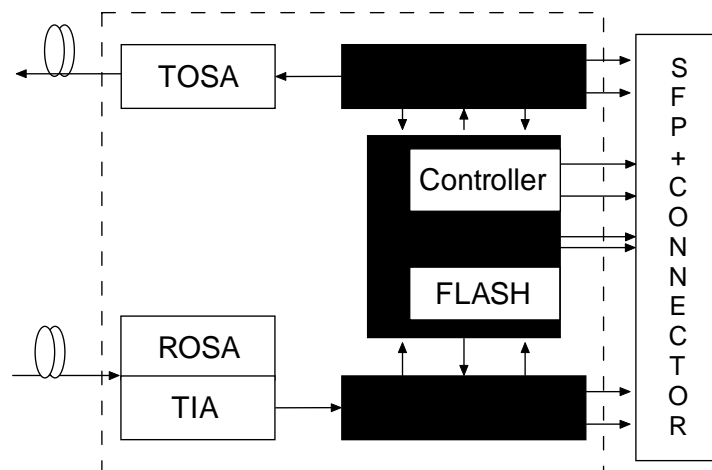
Absolute Maximum Ratings

Parameter	Symbol	Unit	Min	Max
Storage Temperature Range	Ts	°C	-40	85
Relative Humidity	RH	%	0	95
Supply Voltage	V _{CC}	V	-0.3	4.0

Recommended Operating Conditions

Parameter	Symbol	Unit	Min	Typ	Max
Operating Case Temperature Range	Tc	°C	-40		85
Power Supply Voltage	V _{CC}	V	3.14	3.3	3.46
Bit Rate	BR	Gb/s	2.125	6.144	6.25
Bit Error Ratio	BER				10 ⁻¹²
Max Supported Link Length	L	km			2

Principle diagram



Electric Ports Definition

Parameter	Symbol	Unit	Min	Typ	Max	Note
Supply Voltage	V _{CC}	V	3.14	3.3	3.46	
Supply Current	I _{CC}	mA			345	
Transmitter						
Input Differential Impedance	R _{IN}	»	80	100	120	1
Differential Data Input Swing	V _{IN}	mVp-p	180		700	
Transmit Disable Voltage	V _{DIS}	V	2		V _{CCHOST}	
Transmit Enable Voltage	V _{EN}	V	V _{EE}		V _{EE} +0.8	
Transmit Fault Assert Voltage	V _{FA}	V	2.2		V _{CCHOST}	
Transmit Fault De-Assert Voltage	V _{FDA}	V	V _{EE}		V _{EE} +0.4	