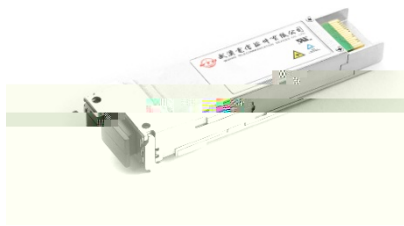


XGPON1 OLT Transceiver XFP Module



RTXM266-702 product is designed for OLT module based on XGPON technology. The product is an integrated module containing a micro-optic component and semiconductor material. The module could implement DDM function. It could be used at key locations in optical networks.

Features

- ' XFP package with SC receptacle optical interface compliant
- ' Hot-Pluggable
- ' 9.953Gbps downstream and 2.488Gbps upstream
- ' +3.3V single power supply
- ' ROHS Compliant

Applications

- ' Optical transceiver for N2a XGPON OLT

Standards

- ' ITU-T G.987
- ' MSA SFF-8077iv4.5

Ordering Information

Specifications

	λ				
	$\Delta\lambda$				

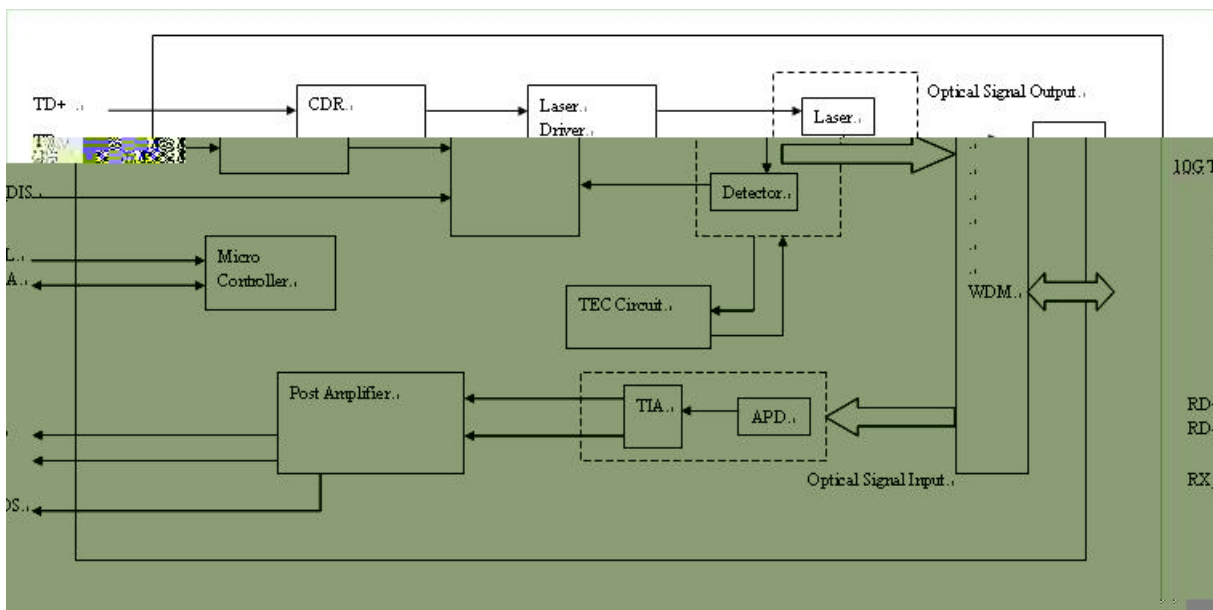
1. AC coupled internally;
2. DC coupled internally;
3. Measured with a PRBS 2²³-1 NRZ test pattern, @2.488Gb/s, EX=9dB, BER<10⁻⁴.

XGPON1 OLT Transceiver XFP Module

Absolute Maximum Ratings

Recommended Operating Conditions

Principle diagram



Electric Ports Definition

XGPON1 OLT Transceiver XFP Module

Regulatory Compliance