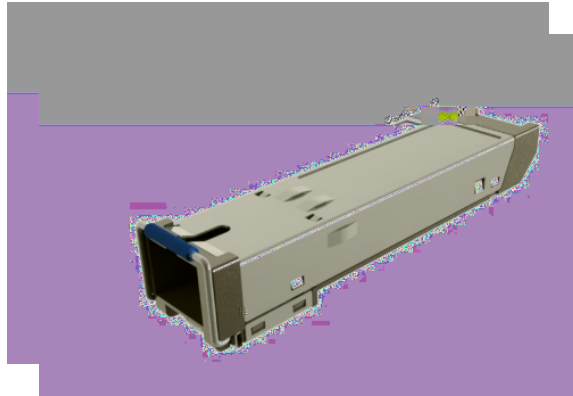


GPON OLT Class C+



GPON OLT			1490nm DFB		1310nm
APD					
		1490nm DFB		class-1	
APC					
	APD				
CID		MAC		SD	SD
					ONU
			DDM		
	DDM				
WDM		1310nm		1490nm	
		EMI EMC			
1310nm		APD/TIA	1490nm	DFB	(with WDM)
SFP					
0 to 70°C					
SC					
+3.3V					
		CID			
LVPECL					
LVTTL					
LVTTL					
Class 1					
		EMI and EMC			

ESD
RoHs

Optical transceiver for Gigabit-capable Passive Optical Networks (GPON) Class C+ OLT side

ITU-T G.984.2 Class C+

Small Form-factor Pluggable (SFP) Transceiver MultiSource Agreement July 5, 2000

	V _{cc}	V	3.135	3.3	3.465
	T _{op}		0	-	70
()		Mbps	-	2488.32	-
()		Mbps	-	1244.16	-

Part No	Specification									Application Code
	Package	TX DataRate	Laser	Optical Power	Detector	RX DataRate	Sensitivity	Temp	Standrad	
RTXM167-526	SFP	2.488Gb/s	1490nm DFB	3~7dBm	APD	1.244Gb/s	<-30dBm	0~70°C	GPON OLT Class C+	CLASS C+

Ports Definition